

CLUSTER BOX UNITS (CBU's) INSTALLATION MANUAL "F" SPECIFICATIONS

TYPE	I	II	III	IV	V	VI
MODEL	3308	3312	3316	3313	3305	3306

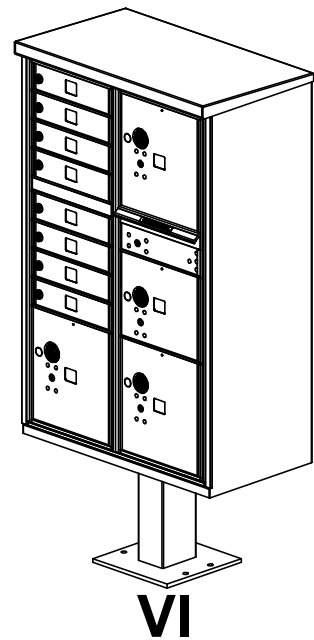
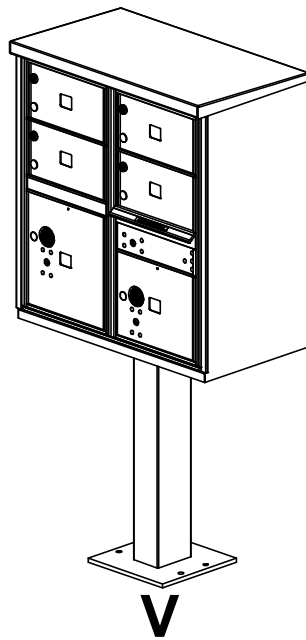
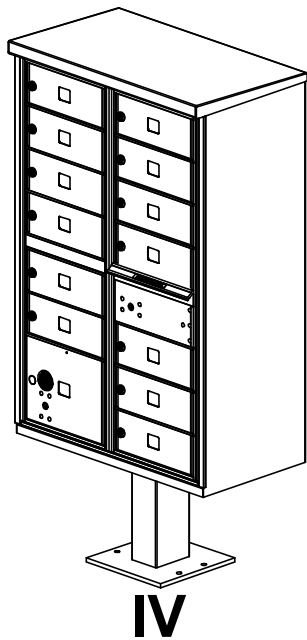
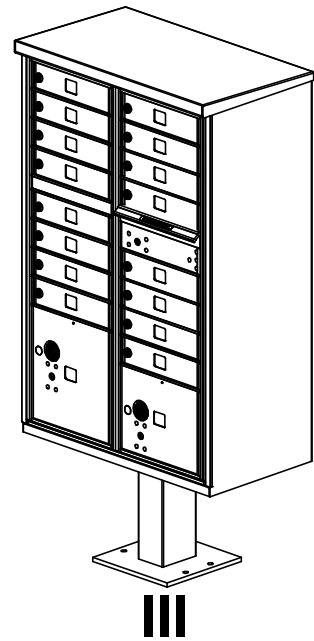
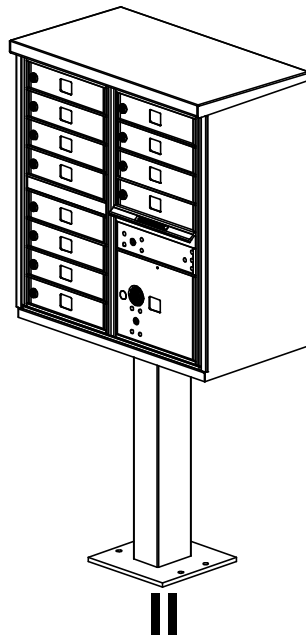
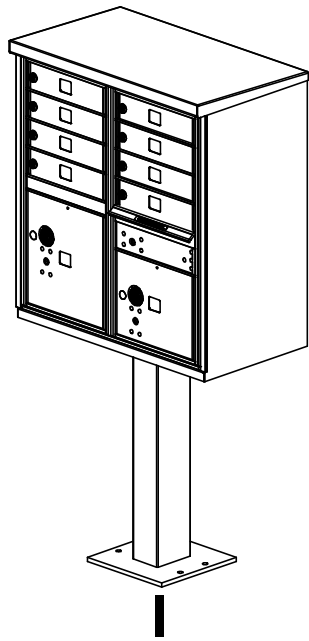
TABLE OF CONTENTS

DESCRIPTION	PAGE
<i>CBU INFORMATION</i>	2
<i>SITE PREPARATION AND PEDESTAL INSTALLATION</i>	3
<i>SECURITY TOOL REQUIREMENTS</i>	4
<i>INSTALLATION OF AN ARROW LOCK</i>	5
<i>PARCEL ARROW LOCK INSTALLATION</i>	7
<i>PEDESTAL TO CBU INSTALLATION</i>	9

SALSBURY INDUSTRIES

18300 Central Avenue, Carson, CA 90746-4008
 Phone: 1-800-624-5269 Int'l Phone: 323-846-6700
 Fax: 1-800-624-5299 Int'l Fax: 323-846-6800
www.mailboxes.com engineering@mailboxes.com

Installation instructions are provided as general guidelines. It is advised that a professional installer be consulted. Salsbury Industries assumes no product assembly or installation liability



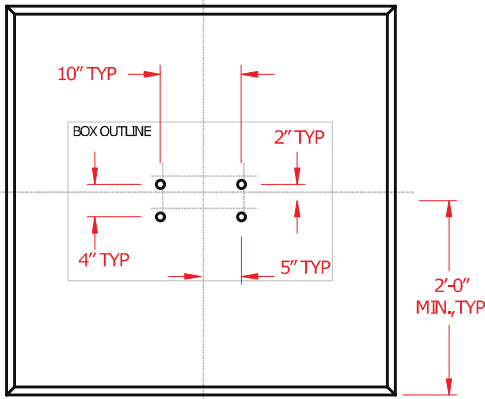
	TYPE I	TYPE II	TYPE III	TYPE IV	TYPE V	TYPE VI
QTY OF TENANT COMPARTMENTS	8	12	16	13	4	8
QTY OF PARCEL COMPARTMENTS	2	1	2	1	2	4
PARCEL COMPARTMENT HEIGHT	10", 13"	10"	10", 13"	10"	10", 13"	10", 13" (3X)

SALSBURY INDUSTRIES

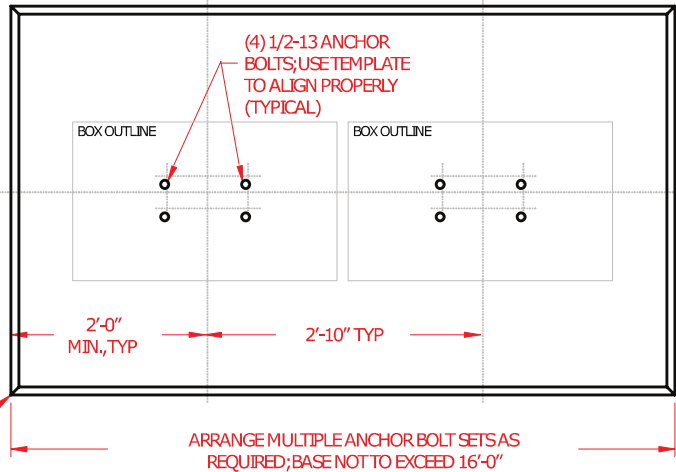
18300 Central Avenue, Carson, CA 90746-4008
 Phone: 1-800-624-5269 Int'l Phone: 323-846-6700
 Fax: 1-800-624-5299 Int'l Fax: 323-846-6800
www.mailboxes.com engineering@mailboxes.com

Installation instructions are provided as general guidelines. It is advised that a professional installer be consulted. Salsbury Industries assumes no product assembly or installation liability

SINGLE UNIT



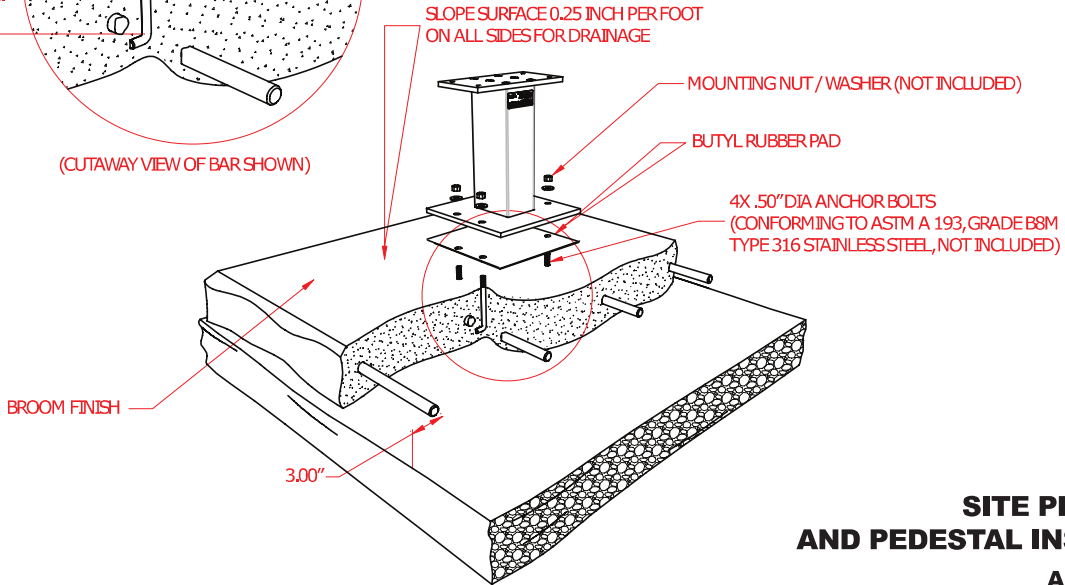
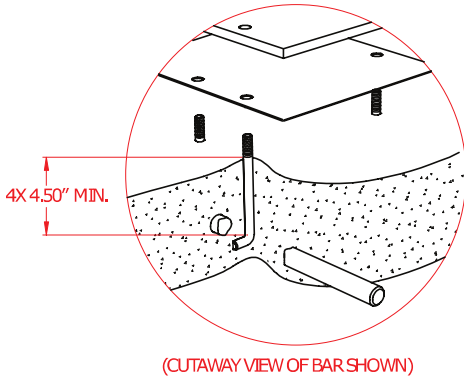
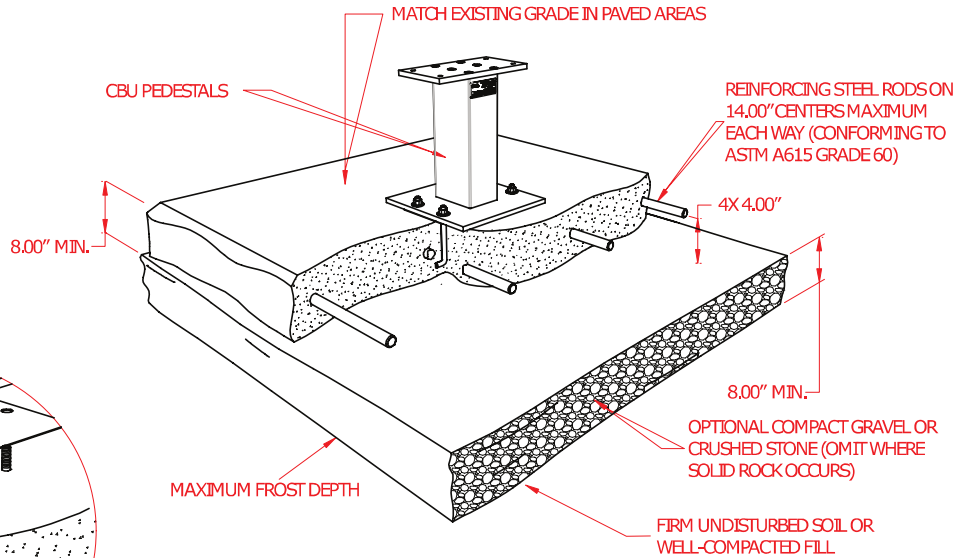
MULTI-UNITS



CHAMFER ALL EDGES IN LANDSCAPE AREAS, TOOL FLUSH WITH ADJOINING SURFACES IN PAVED AREAS.

ARRANGE MULTIPLE ANCHOR BOLT SETS AS REQUIRED; BASE NOT TO EXCEED 16'-0"

NOTE:
CONCRETE SHALL HAVE A COMPRESSIVE STRENGTH OF 3000 PSI @ 28 DAYS, CONTAIN 4% MIN. ~ 6% MAX AIR ENTRAPMENT AND BE PLACED WITH A 3.50 ~ 4.50 SLUMP IN ACCORDANCE TO 301.



SITE PREPARATION AND PEDESTAL INSTALLATION ALL CBU TYPES

SALSBUURY INDUSTRIES

18300 Central Avenue, Carson, CA 90746-4008
 Phone: 1-800-624-5269 Int'l Phone: 323-846-6700
 Fax: 1-800-624-5299 Int'l Fax: 323-846-6800
www.mailboxes.com engineering@mailboxes.com

Installation instructions are provided as general guidelines. It is advised that a professional installer be consulted. Salsbury Industries assumes no product assembly or installation liability

IMPORTANT NOTICE FOR USPS INSTALLERS

ALL CBU TYPES

*INSTALLER MUST ORDER McGARD SCREW DRIVER
(USPS – MAIL EQUIPMENT SHOP PART NUMBER 110050)
TO INSTALL AND SERVICE THE PARCEL ARROW LOCK COVER*

IF THE
McGARD SCREW DRIVER MES NO. 110050
*NEEDS TO BE ORDERED
CONTACT YOUR LOCAL POSTAL AUTHORITY OR VISIT WWW.USPS.COM*

NOTE: SALSURY INDUSTRIES DOES NOT PROVIDE OR SELL THE MCGARD SCREWDRIVER



NOTE:

FOR USPS APPLICATIONS:

- 1) *ARROW LOCK IS INSTALLED BY US POSTAL SERVICE PERSONNEL ONLY. CONTACT YOUR LOCAL POST OFFICE TO ARRANGE INSTALLATION OF ARROW LOCK AND PLACE UNIT INTO SERVICE.*

FOR NON-USPS APPLICATIONS:

- 1) *PLEASE DISREGARD INSTRUCTIONS RELATED TO ARROW LOCK THROUGHOUT THIS MANUAL.*
- 2) *MASTER ACCESS DOOR AND PARCEL DOOR PRIVATE LOCK MECHANISMS WILL BE INSTALLED AT FACTORY UNLESS OTHERWISE SPECIFIED BY CUSTOMER.*
- 3) *MCGARD FASTENERS AND SCREWDRIVER NOT NECESSARY FOR NON-USPS (PRIVATE DELIVERY) APPLICATIONS.*

SALSURY INDUSTRIES

18300 Central Avenue, Carson, CA 90746-4008
Phone: 1-800-624-5269 Int'l Phone: 323-846-6700
Fax: 1-800-624-5299 Int'l Fax: 323-846-6800
www.mailboxes.com engineering@mailboxes.com

Installation instructions are provided as general guidelines. It is advised that a professional installer be consulted. Salsbury Industries assumes no product assembly or installation liability

Copyright © 2020 Salsbury Industries. All rights reserved. --- Part No. 1055282, Rev. 07

Page 4 of 10

INSTALLATION OF AN ARROW LOCK

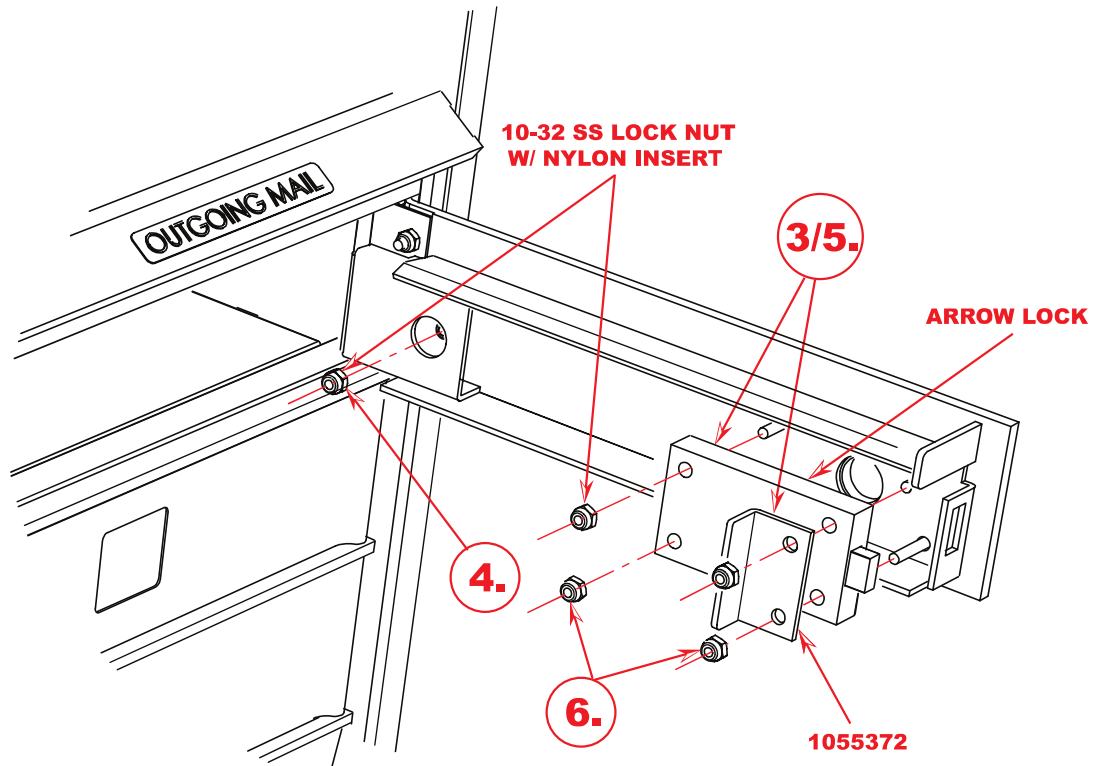
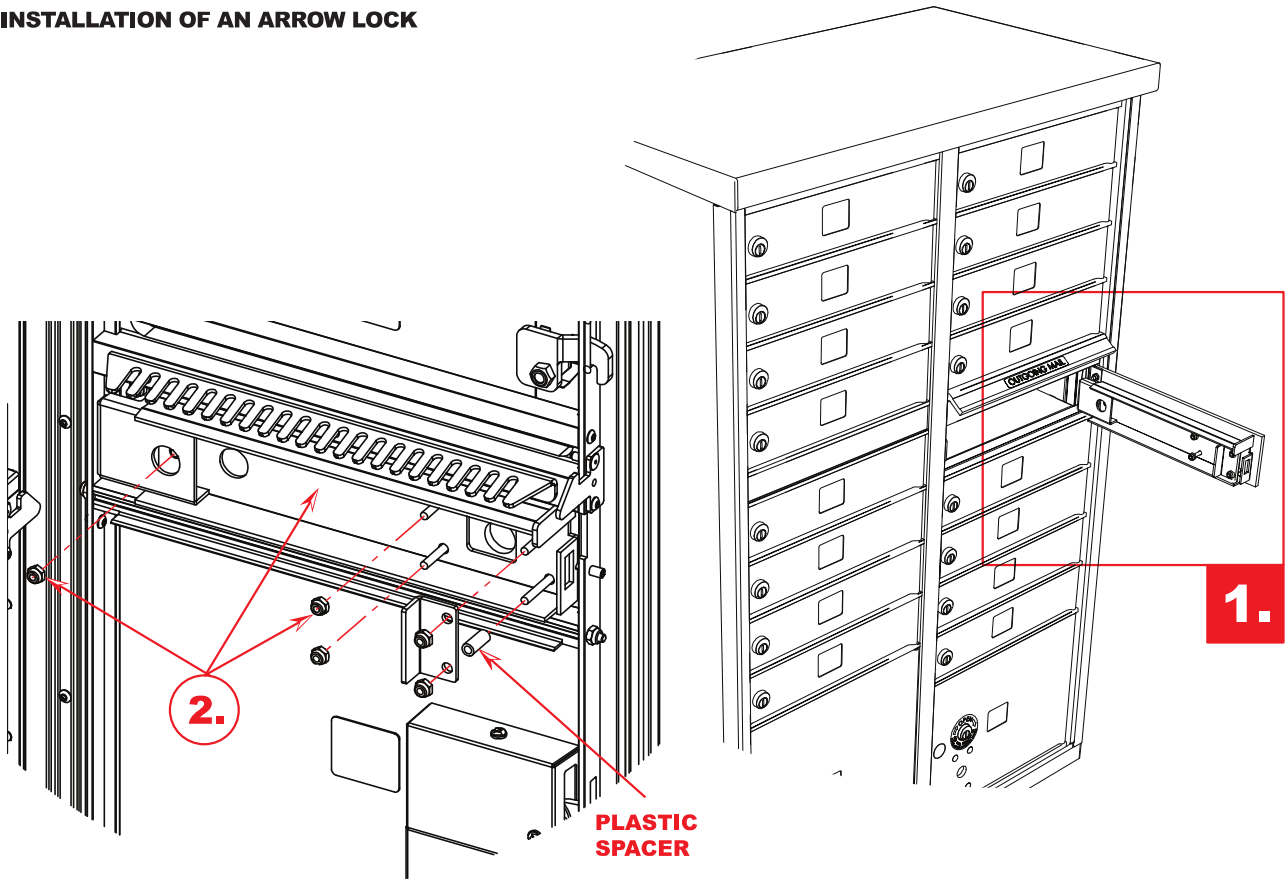
ALL CBU TYPES

1. OPEN ARROW LOCK DOOR.
2. REMOVE FIVE (5) 10-32 STAINLESS STEEL LOCK NUTS W/ NYLON INSERT, AS WELL AS 1055372 LOCK SUPPORT PLATE (DISPOSE OF PLASTIC SHIPPING SPACER.)
3. PLACE ARROW LOCK INTO 1055290 ARROW LOCK SECURITY BRACKET AND POSITION ON DOOR.
4. REPLACE ONE (1) 86091 10-32 STAINLESS STEEL LOCK NUT W/ NYLON INSERT IN THE REAR POSITION TO SECURE ARROW LOCK SECURITY BRACKET.
5. INSTALL 1055372 LOCK SUPPORT PLATE AS SHOWN.
6. REPLACE FOUR (4) 10-32 STAINLESS STEEL LOCK NUTS W/ NYLON INSERT. TORQUE TO 25 TO 30 INCH-POUNDS.

REQUIRED TOOLS		PART #	DESCRIPTION
3/8" SOCKET WRENCH		129155	10-32 STAINLESS STEEL LOCK NUT W/ NYLON INSERT
		1055372	LOCK SUPPORT PLATE
			ARROW LOCK
		1055290	ARROW LOCK SECURITY BRACKET

SALSBURY INDUSTRIES
 18300 Central Avenue, Carson, CA 90746-4008
 Phone: 1-800-624-5269 Int'l Phone: 323-846-6700
 Fax: 1-800-624-5299 Int'l Fax: 323-846-6800
www.mailboxes.com engineering@mailboxes.com

INSTALLATION OF AN ARROW LOCK



SALSBURY INDUSTRIES

18300 Central Avenue, Carson, CA 90746-4008
 Phone: 1-800-624-5269 Int'l Phone: 323-846-6700
 Fax: 1-800-624-5299 Int'l Fax: 323-846-6800
www.mailboxes.com engineering@mailboxes.com

Installation instructions are provided as general guidelines. It is advised that a professional installer be consulted. Salsbury Industries assumes no product assembly or installation liability

Copyright © 2020 Salsbury Industries. All rights reserved. --- Part No. 1055282, Rev. 07

Page 6 of 10

PARCEL ARROW LOCK INSTALLATION

ALL CBU TYPES

1. OPEN PARCEL DOOR, REMOVE AND DISCARD FOUR (4) PLASTIC SHIPPING RETAINERS (TWO ON LATCHING ASSEMBLY COVER AND TWO ON ARROW LOCK COVER).
2. REMOVE PLASTIC BAG OF FASTENERS (IT CONTAINS ALL FASTENERS NECESSARY TO INSTALL POSTAL LOCK ON ONE PARCEL DOOR).
3. INSTALL ARROW LOCK AS SHOWN AND SECURE WITH FOUR (4) 10-32 STAINLESS STEEL LOCK NUTS W/ NYLON INSERT. TORQUE 25 TO 30 INCH-POUNDS.
4. INSTALL 1055359 LATCHING ASSEMBLY COVER USING THREE (3) 1055293 10-32 x .375 UNF-2A 18-8 SS PASSIVATED 1-WAY TAMPER PROOF FASTENERS.
5. INSTALL 1055361 ARROW LOCK COVER USING TWO (2) 1055292 10-32 x .312 UNF-2A 18-8 SS PASSIVATED MCGARD FASTENERS.
6. REMOVE LABEL FROM COVER.

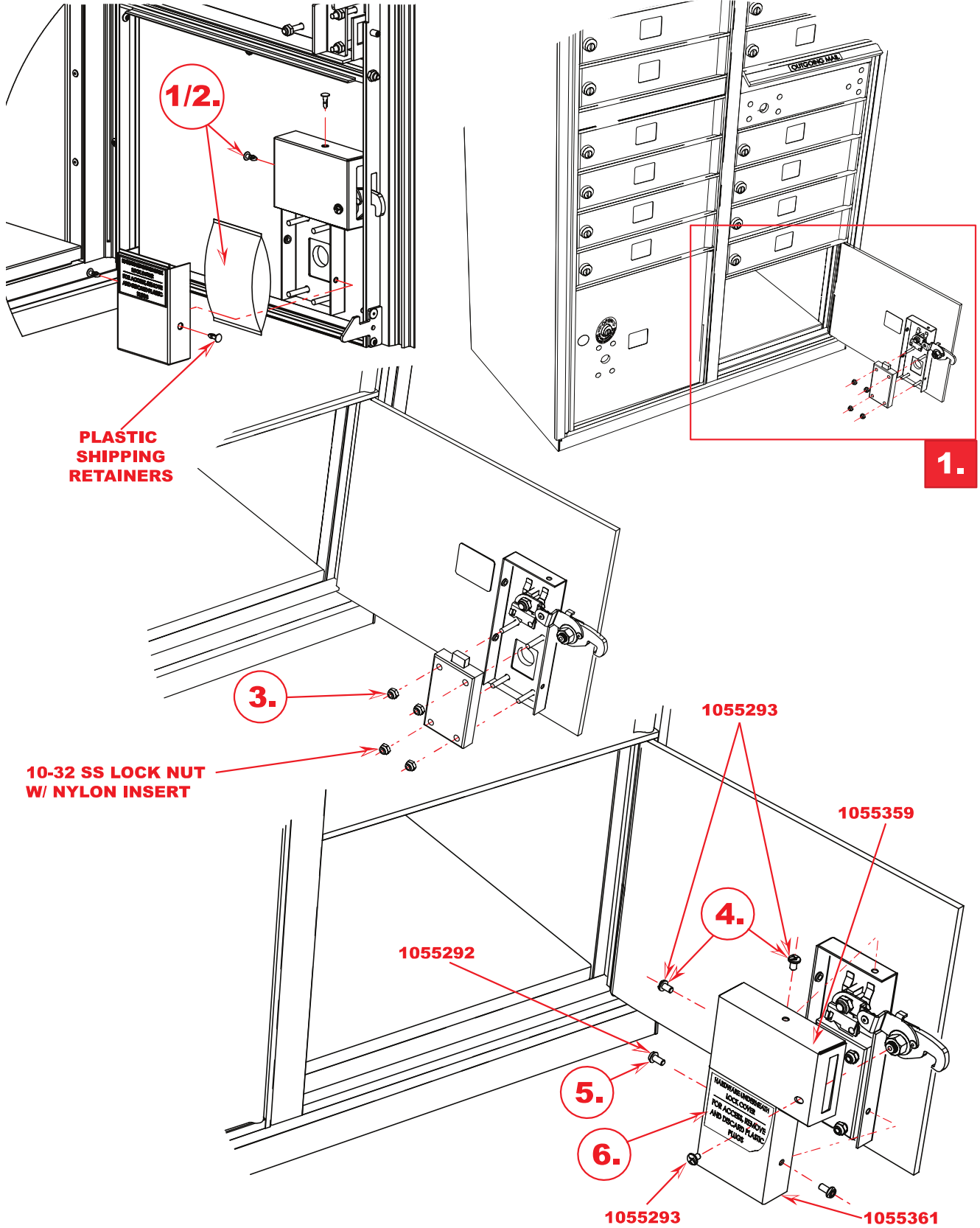
REQUIRED TOOLS
FLAT SCREWDRIVER
USPS PROPRIETARY MCGARD TOOL
3/8" SOCKET WRENCH
PLIERS

PART #	DESCRIPTION
1055292	10-32 X .312 UNF-2A 18-8 SS PASSIVATED MCGARD FASTENER
1055293	10-32 X .312 UNF-2A 18-8 SS PASSIVATED 1-WAY TAMPER PROOF
129155	10-32 STAINLESS STEEL LOCK NUT W/ NYLON INSERT
1055359	LATCHING ASSEMBLY COVER
1055361	ARROW LOCK COVER
	ARROW LOCK

SALSBURY INDUSTRIES	
18300 Central Avenue, Carson, CA 90746-4008	
Phone: 1-800-624-5269	Int'l Phone: 323-846-6700
Fax: 1-800-624-5299	Int'l Fax: 323-846-6800
www.mailboxes.com	engineering@mailboxes.com

Installation instructions are provided as general guidelines. It is advised that a professional installer be consulted. Salsbury Industries assumes no product assembly or installation liability

PARCEL ARROW LOCK INSTALLATION



SALSBURY INDUSTRIES

18300 Central Avenue, Carson, CA 90746-4008
 Phone: 1-800-624-5269 Int'l Phone: 323-846-6700
 Fax: 1-800-624-5299 Int'l Fax: 323-846-6800
www.mailboxes.com engineering@mailboxes.com

PEDESTAL TO CBU INSTALLATION

ALL CBU TYPES

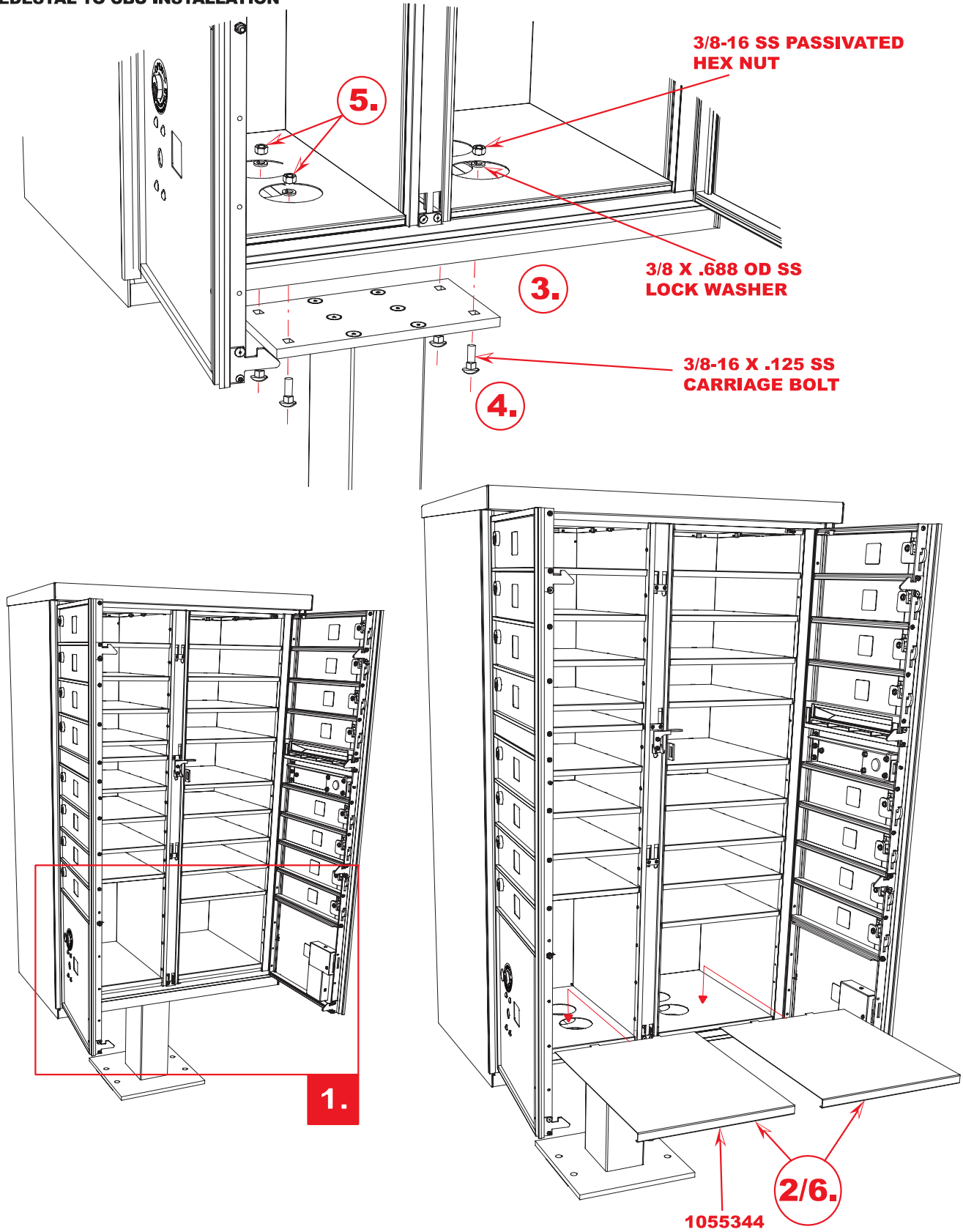
1. OPEN MASTER LOADING DOORS.
2. REMOVE LEFT AND RIGHT SIDE 1055344 FLOATING SHELVES, EXPOSING MOUNTING HOLES.
3. PLACE UNIT ON PEDESTAL.
4. FROM UNDERNEATH UNIT, INSERT FOUR (4) 3/8-16 x 1.25 STAINLESS STEEL CARRIAGE BOLTS UPWARD.
5. FROM INSIDE LOWEST COMPARTMENTS, ADD FOUR (4) 3/8" X .688 OD STAINLESS STEEL LOCK WASHERS AND TIGHTEN FOUR (4) 3/8-16 STAINLESS STEEL PASSIVATED HEX NUTS. TORQUE TO 22 FOOT-POUNDS.
6. REPLACE LEFT AND RIGHT SIDE 1055344 FLOATING SHELVES.

REQUIRED TOOLS
9/16" SOCKET WRENCH

PART #	DESCRIPTION
3632SS12	3/8-16 STAINLESS STEEL PASSIVATED HEX NUT
74437	3/8-16 X 1.25 STAINLESS STEEL CARRIAGE BOLT
1055344	FLOATING SHELF
1055280-2	PEDESTAL FOR TYPE I, II, V
1055280-1	PEDESTAL FOR TYPE III, IV, VI
903168SS12	3/8-16 X .688 OD STAINLESS STEEL LOCK WASHER

SALSBURY INDUSTRIES	
18300 Central Avenue, Carson, CA 90746-4008	
Phone: 1-800-624-5269	Int'l Phone: 323-846-6700
Fax: 1-800-624-5299	Int'l Fax: 323-846-6800
www.mailboxes.com	engineering@mailboxes.com

PEDESTAL TO CBU INSTALLATION



SALSBU Y INDUSTRIES

18300 Central Avenue, Carson, CA 90746-4008
 Phone: 1-800-624-5269 Int'l Phone: 323-846-6700
 Fax: 1-800-624-5299 Int'l Fax: 323-846-6800
www.mailboxes.com engineering@mailboxes.com

Installation instructions are provided as general guidelines. It is advised that a professional installer be consulted. Salsbury Industries assumes no product assembly or installation liability